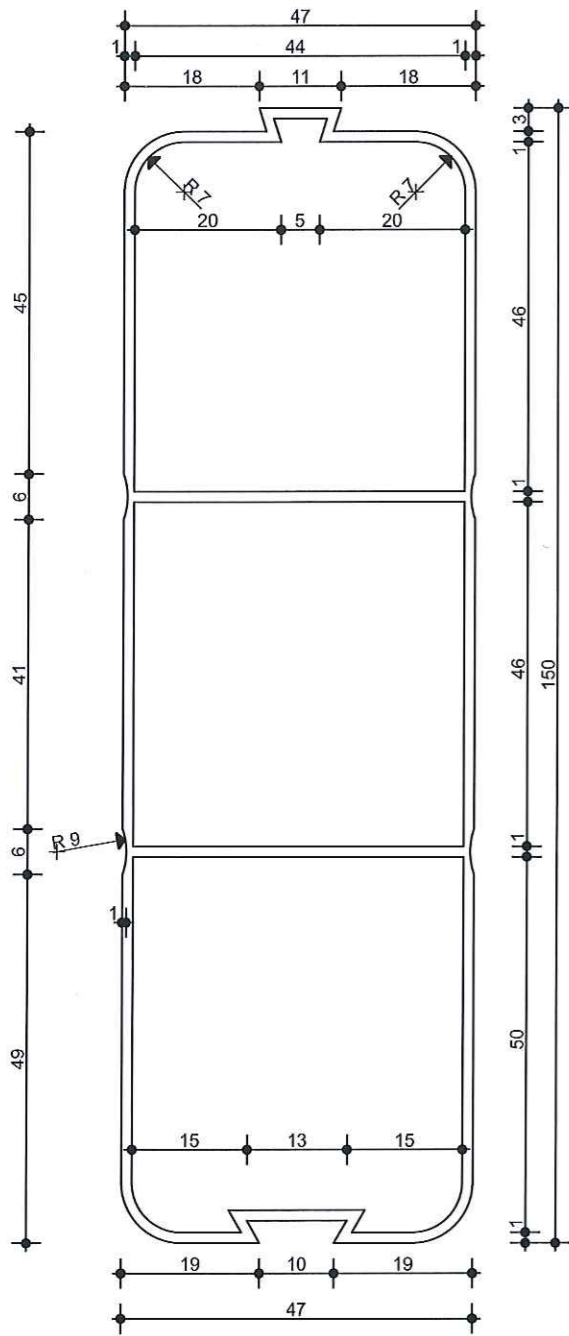
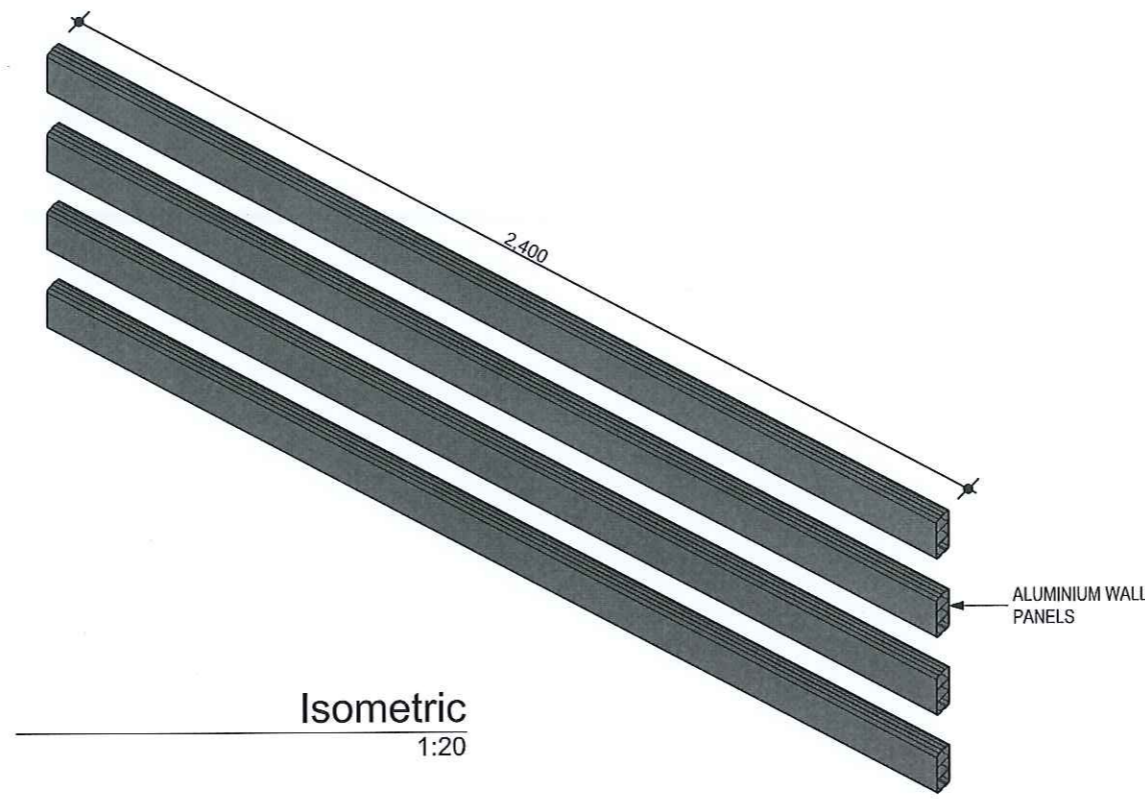


Advanced Building Engineers
 Consulting Chartered Engineers
 Unit 2/50 Oxford close,
 West Leederville WA 6007
 Tel: 08 9382 8888
 Fax: 08 9381 9999
 info@abewa.com.au www.abewa.com.au

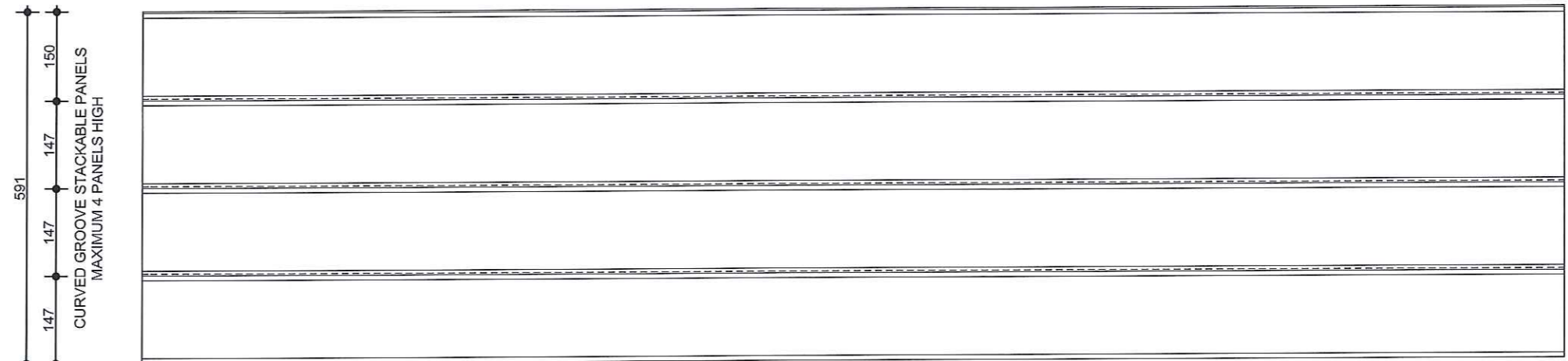
Robert David
Robert David
 MIEAust CPEng NPER
 Chartered Professional Engineer
 Membership No: 259950



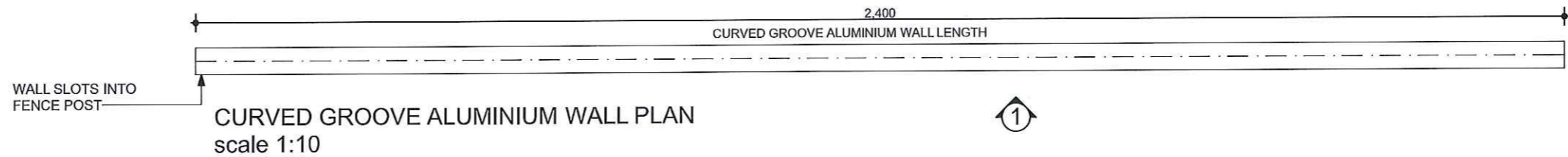
SECTION THROUGH
 CURVED GROOVE
 ALUMINIUM WALL
 PANEL
 scale 1:1



Isometric
 1:20



ELEVATION 1
 scale 1:10



CURVED GROOVE ALUMINIUM WALL PLAN
 scale 1:10

<p>CONSTRUCTION NOTES:</p> <p>1. These plans are the sole property of Alandra Holdings Pty Ltd and may not be reproduced or modified in whole or in part without written permission.</p> <p>2. Contractors shall check all dimensions and conditions on site prior to commencing fabrication or construction. Any discrepancies to be brought to the Designers attention.</p> <p>3. Do not scale from Drawings.</p>	<p>4. Owner to note all sizes shown are without plaster (where applicable) and should be allowed for.</p> <p>5. The Builder reserves the right to alter dimensions on site to suit construction, engineering or site conditions.</p> <p>6. Unless otherwise noted, retaining walls, demolition, sewer piling, subsoil drains, blasting or othersite works are all at Owners expense.</p>	<p>bekticDESIGN BUILDING DESIGNERS</p> <p>08 9371 6539 sbektic@bigpond.net.au</p> <p>© Copyright 2015 ALANDRA HOLDINGS PTY LTD</p>	Drawing: Stackable Wall Details		
			Client: Alagic	Date Drawn: Feb. 2015	Final Plans: 28/04/2015
			Site: 17/19 Bassendean Road BAYSWATER	Scale: 1:1, 1:10, 1:20	Dwg No.: 1 of 1
			Drawn: SB Check: SB	Issued: 10/06/2015	Revision: 00